

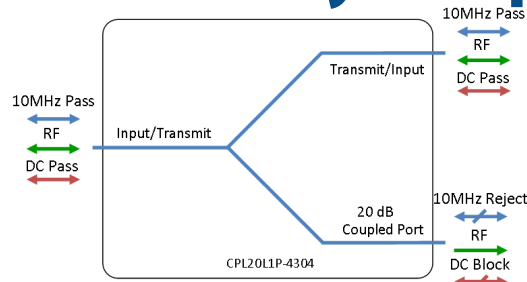


Model Number:  
**CPL20L1P-4304**

RF Components

# 20dB L-band Proximity Coupler

## 850 - 2150 MHz



- DC and 10MHz pass between input and transmit ports
- Coupled port is DC blocked.

Available with RF connector options:

- 50 Ω SMA
- 50 Ω N-type
- 50 Ω BNC
- 75 Ω BNC
- 75 Ω F-type.

### Compact

Housed in rugged compact enclosure

### Flexible Mounting

Tapped screw & through hole mounting options



### 850-2150 MHz

Operating frequency range. L-Band ready



RF Parameters						
CPL20L1P-4304	S5S5S5	N5N5N5	B5B5B5	B7B7B7	F7F7F7	
Frequency Range	850 – 2150 MHz					
RF Connectors	50Ω SMA	50Ω N-Type	50Ω BNC	75Ω BNC	75Ω F-Type	
<b>Through Path :</b>						
Mean Insertion Loss (dB)	1.0 ± 0.2	1.0 ± 0.2	1.0 ± 0.3	1.2 ± 0.4	1.2 ± 0.4	
Flatness (dB)	± 0.2	± 0.2	± 0.2	± 0.4	± 0.4	
Input Return Loss (dB)	Typ	20	18	18	15	15
	Min	15	14	14	13	13
Output Return Loss (dB)	Typ	16	16	15	15	15
	Min	13	13	12	12	12
<b>Coupled Port :</b>						
Coupling Factor	Typ	20 ± 1.0	20 ± 1.0	20 ± 1.0	20 ± 1.2	20 ± 1.2
Flatness (dB)	Typ	± 0.5	± 0.5	± 0.6	± 0.6	± 0.6
Return Loss (dB)	Typ	15	15	15	14	14
	Min	12	12	12	12	12
10MHz Insertion Loss is up to 3dB above the theoretical loss* 10MHz Rejection is 20dB* *To ports which are applicable						

### Broadcast



### Marine Oil & Gas



### SNG & VSAT



### Satellite Teleport





RF Components

Model Number:  
**CPL20L1P-4304**  
20dB L-band Proximity Coupler

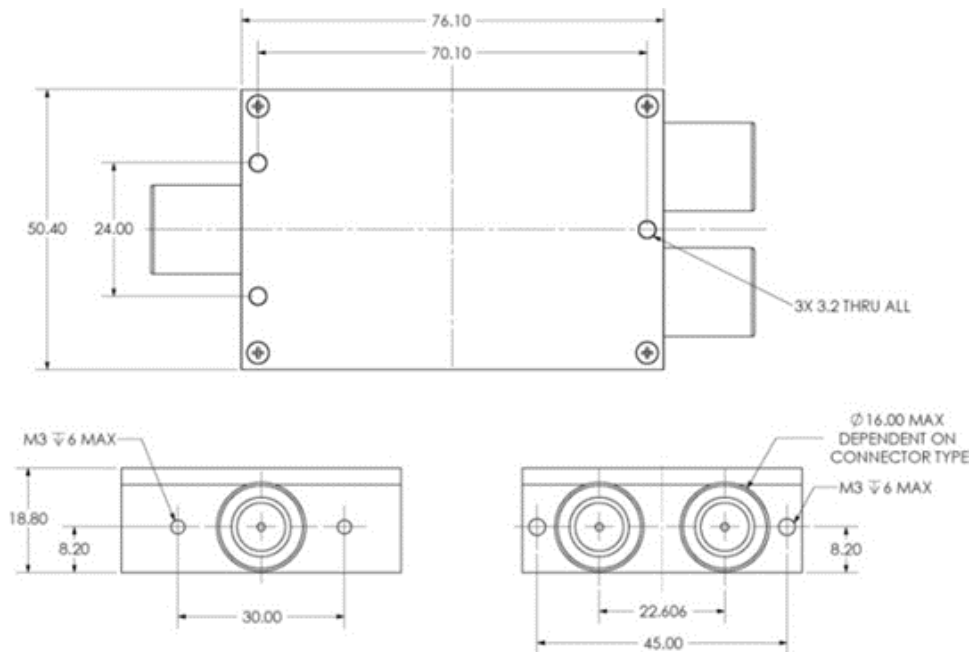
### Technical specifications and operating parameters

Environmental		
Operating Temperature		0°C to +45°C
Storage Temperature		-20°C to +75°C
Location		Indoor use Only
Humidity	Max	85% non-condensing
Altitude	Max	10,000 feet

Max Operating Parameters	
Input RF Power	+37 dBm (5W)
DC Voltage	50 V
DC Current	3.5A max 5A max if N-type connectors

**!** Operation beyond these limits may cause instantaneous and permanent damage.

### Physical Dimensions (mm)



Note: The specification is subject to regular reviews and will be updated from time to time as part of our continuing product development and improved specification accuracy.

ETL SYSTEMS LIMITED  
Coldwell Radio Station  
Madley  
Hereford  
England HR2 9NE

TELEPHONE  
+44 (0)1981 259020  
  
EMAIL  
info@etlsystems.com

FACSIMILE  
+44 (0)1981 259021  
  
WEB  
www.etlsystems.com

